



14

Thorax – Lung
Thorax – Lunge
Tórax – Pulmón
Thorax – Poumon
Torace – Polmone



Lebsche

14-904-24 24.5 cm - 9 ¾"



Brunner

14-905-01

for the right hand
 für die rechte Hand
 para la manoderecha
 pour la main droite
 per la mano destra



14-905-02

for the left hand
 für die linke Hand
 para la mano izquierda
 pour la main gauche
 per la mano sinistra

32 cm - 12 ½"



Sauerbruch-Frey

14-906-36 36 cm - 14 ¼"



Sauerbruch

14-907-26 26 cm - 10 ¼"



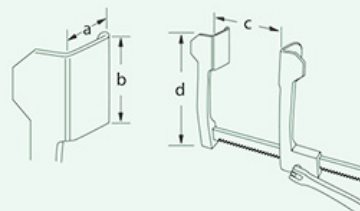
Giertz-Stille

14-908-27 27 cm - 10 ¼"



Bethune

14-909-34 34 cm - 13 ½"



Burford 8"

14-910-08

Aluminium

a	b	c	d
45 mm	62 mm	165 mm	200 mm
65 mm	62 mm		

for adults, with 2 pairs of interchangeable blades

Burford 10"

14-911-10

Aluminium

a	b	c	d
45 mm	62 mm	250mm	200 mm
65 mm	62 mm		

for adults, with 2 pairs of interchangeable blades

Burford 12"

14-912-12

Aluminium

a	b	c	d
45 mm	62 mm	290 mm	200 mm
65 mm	62 mm		

for adults, with 2 pairs of interchangeable blades

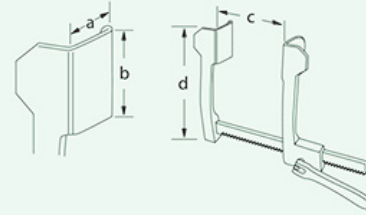
Burford

14-913-00

Aluminium

a	b	c	d
30 mm	42 mm	130 mm	117 mm
41 mm	42 mm		

for adults, with 2 pairs of interchangeable blades



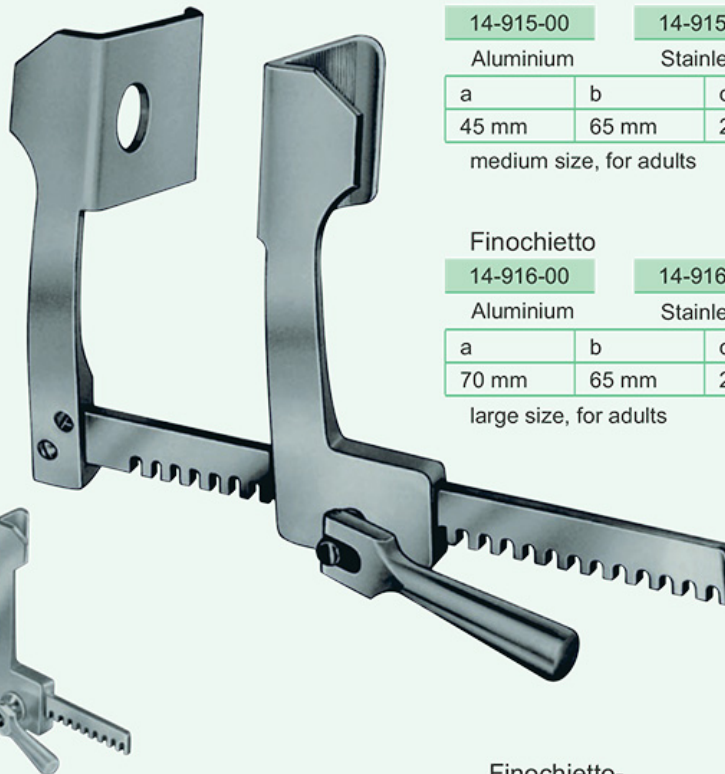
Finochietto

14-914-00

Aluminium

a	b	c	d
40 mm	45 mm	165 mm	110 mm

small size, for children



Finochietto

14-915-00

Aluminium

14-915-01

Stainless steel

a	b	c	d
45 mm	65 mm	200mm	140 mm

medium size, for adults

Finochietto

14-916-00

Aluminium

14-916-01

Stainless steel

a	b	c	d
70 mm	65 mm	250 mm	140 mm

large size, for adults

**Finochietto-
 Baby-Haight**

14-917-00

Aluminium

14-917-01

Stainless steel

a	b	c	d
27 mm	30 mm	95 mm	80 mm

for children

**Finochietto-
 Infant**

14-918-00

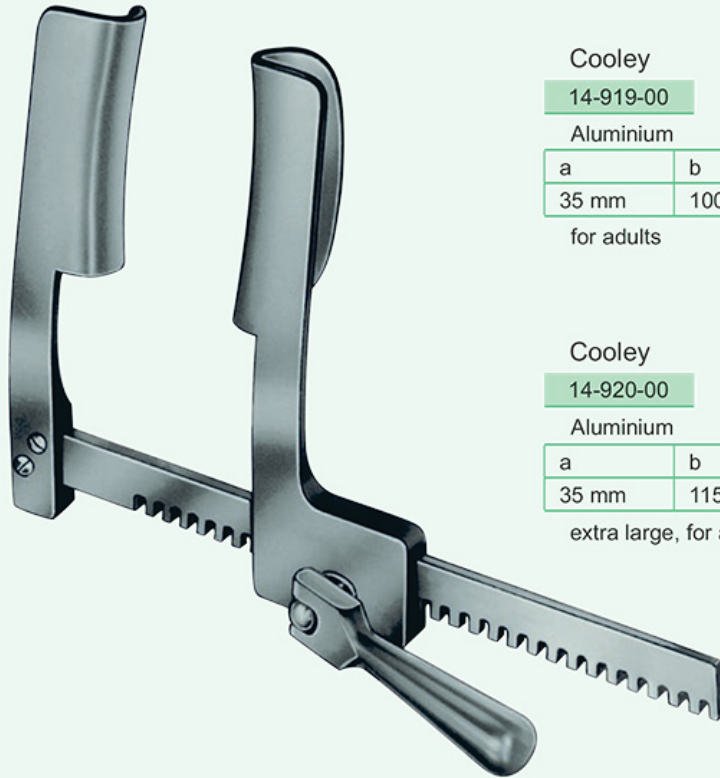
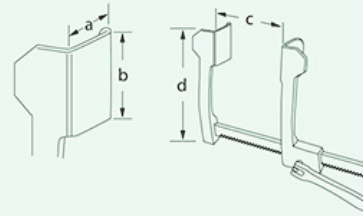
Aluminium

14-918-01

Stainless steel

a	b	c	d
12 mm	15 mm	70 mm	55 mm

for infants



Cooley

14-919-00

Aluminium

a	b	c	d
35 mm	100 mm	180 mm	180 mm

for adults

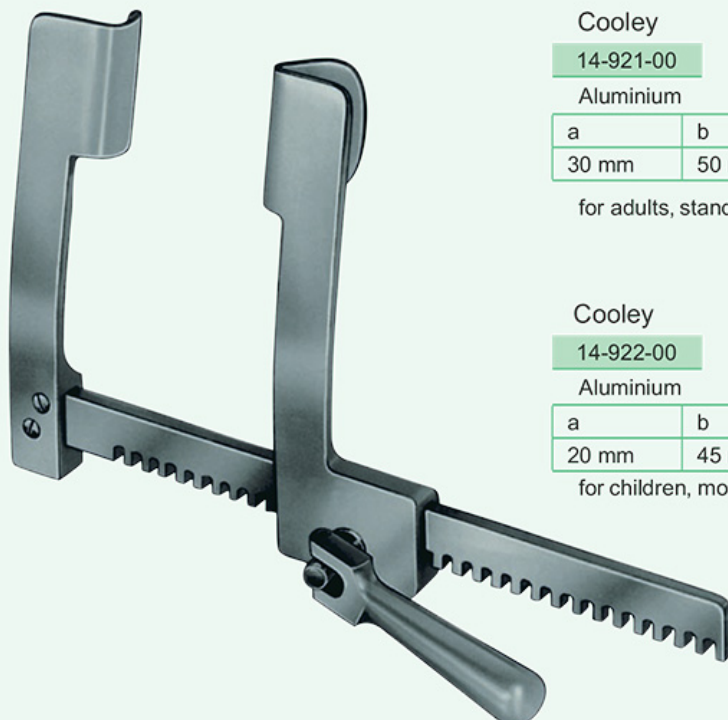
Cooley

14-920-00

Aluminium

a	b	c	d
35 mm	115 mm	230 mm	205 mm

extra large, for adults



Cooley

14-921-00

Aluminium

a	b	c	d
30 mm	50 mm	185 mm	145 mm

for adults, standard size, modified

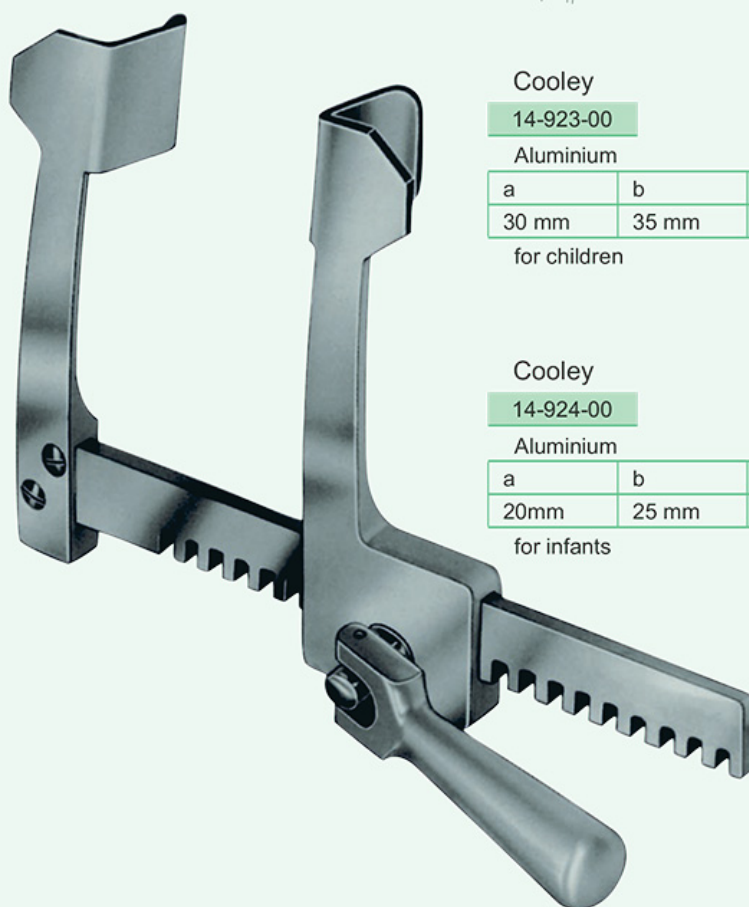
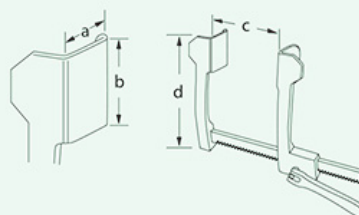
Cooley

14-922-00

Aluminium

a	b	c	d
20 mm	45 mm	140 mm	110 mm

for children, modified



Cooley

14-923-00

Aluminium

a	b	c	d
30 mm	35 mm	140 mm	110 mm

for children

Cooley

14-924-00

Aluminium

a	b	c	d
20mm	25 mm	100 mm	80 mm

for infants



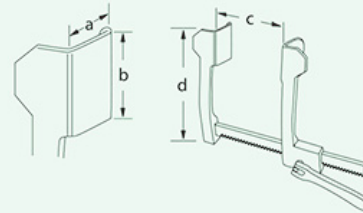
Cooley

14-925-00

Aluminium

a	b	c	d
12mm	15 mm	70 mm	55 mm

for infants



Cooley

14-926-00

Aluminium

a	b	c	d
15 mm	30 mm	115 mm	80 mm

for children, sternal spreader, light-wieght but sturdy

Cooley

14-927-00

Aluminium

a	b	c	d
14 mm	16 mm	85 mm	55 mm

for newborns

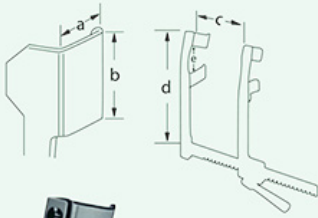
Cooley

14-928-00

Aluminium

a	b	c	d
15 mm	20 mm	100 mm	80 mm

for infants, sternal spreader with prongs



Morse Sternal

14-929-00

Aluminium

a	b	c	d	e
20 mm	20 mm	155 mm	120 mm	50 mm

with 2 pairs of movable blades, for children, arms curved between blades

Morse-Favaloro Sternal

14-930-00

Aluminium

a	b	c	d	e
40 mm	20 mm	155 mm	175 mm	65 mm

with 2 pairs of movable blades, for adults, arms curved between blades

Morse-Favaloro Sternal

14-931-00

Aluminium

a	b	c	d	e
12 mm	20 mm	155 mm	120 mm	50 mm

with 2 pairs of movable blades, for children, arms curved between blades

Morse Sternal

14-932-00

Aluminium

a	b	c	d	e
20 mm	28 mm	210 mm	155 mm	72 mm

with 2 pairs of movable blades, for adults, arms curved between rack and blades

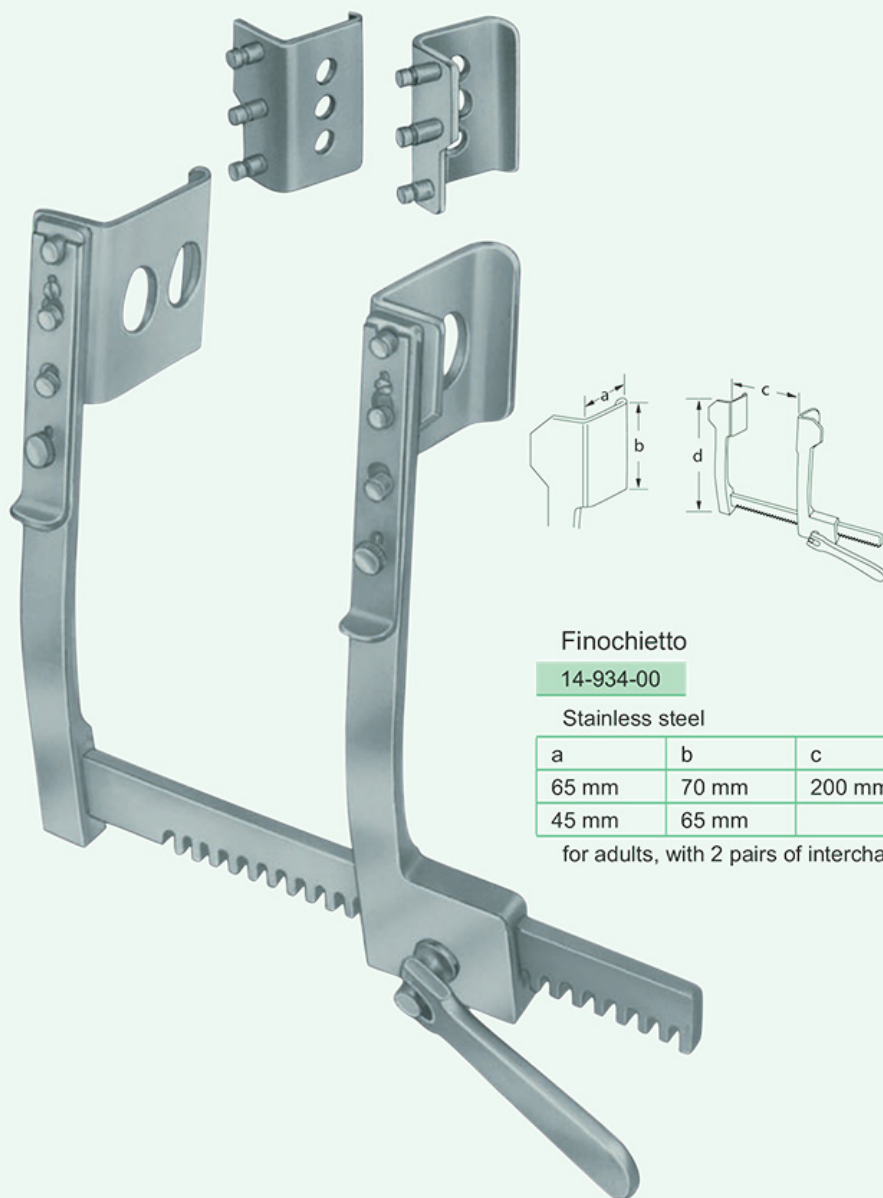
Morse Sternal

14-933-00

Aluminium

a	b	c	d	e
20 mm	20 mm	155 mm	120 mm	50 mm

with 2 pairs of movable blades, for children, arms curved between rack and blades



Finochietto

14-934-00

Stainless steel

a	b	c	d
65 mm	70 mm	200 mm	140 mm
45 mm	65 mm		

for adults, with 2 pairs of interchangeable blades



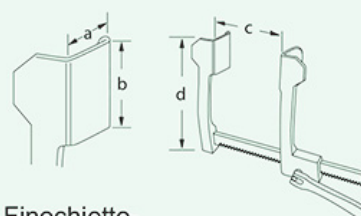
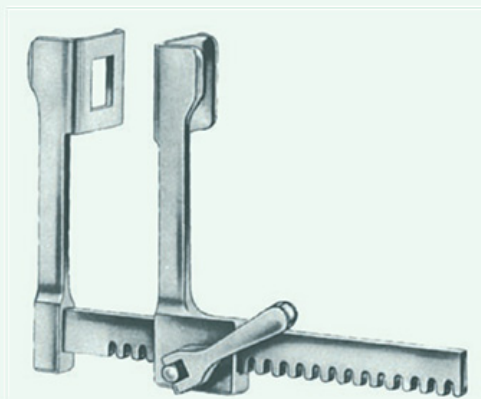
Baby-Haight

14-935-00

14-935-01

Stainless steel

a	b	c	d
28 mm	30 mm	85 mm	70 mm
28 mm	30 mm	100 mm	75 mm

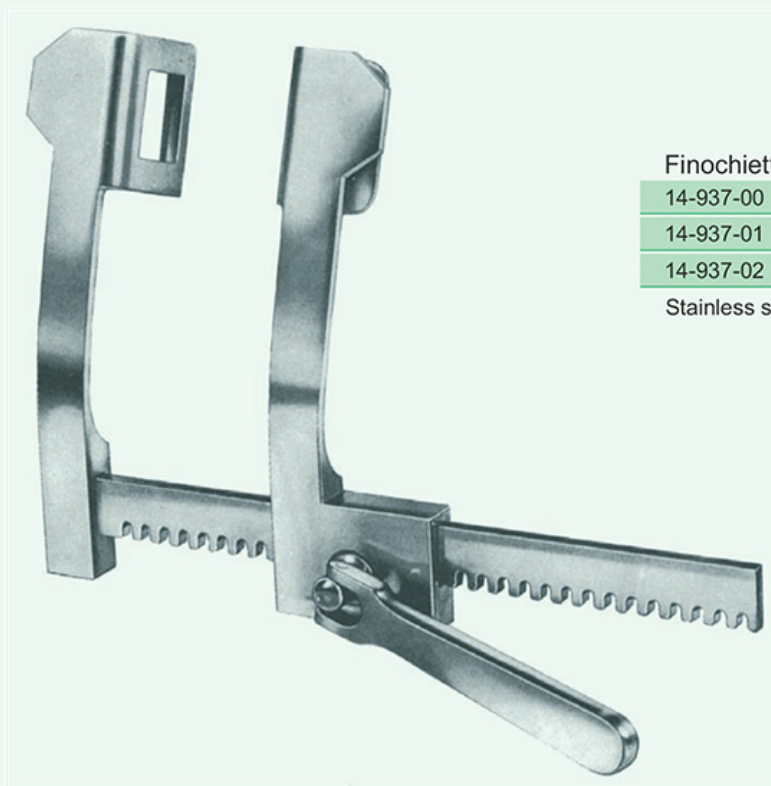


Finochietto-
 Baby

14-936-00

Stainless steel

a	b	c	d
14 mm	15 mm	75 mm	55 mm



Finochietto

14-937-00

14-937-01

14-937-02

Stainless steel

a	b	c	d
40 mm	40 mm	165 mm	110 mm
45 mm	65 mm	200 mm	140 mm
70 mm	65 mm	250 mm	140 mm



Tuffier

14-938-00

Stainless steel

a	b	c	d
50 mm	45 mm	165 mm	110 mm

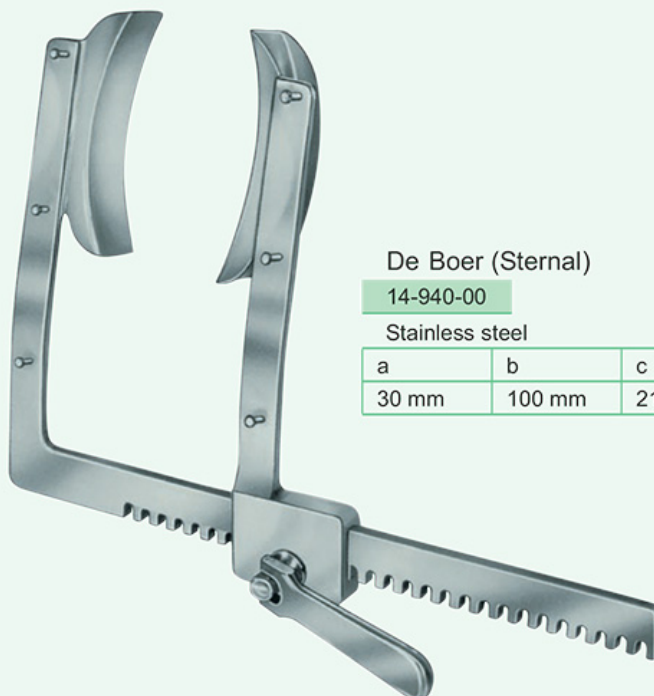


Finochietto-
Infant

14-939-00

Stainless steel

a	b	c	d
14 mm	15 mm	55 mm	25 mm

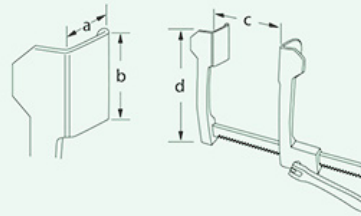


De Boer (Sternal)

14-940-00

Stainless steel

a	b	c	d
30 mm	100 mm	210 mm	185 mm



De Bakey

14-941-00

Stainless steel

a	b	c	d
20 mm	30 mm	120 mm	130 mm
30 mm	30 mm		

for children, with 2 pairs of interchangeable blades



De Bakey

14-942-00

Stainless steel

a	b	c	d
30 mm	60 mm	200 mm	190 mm
48 mm	60 mm		

for adults, with 2 pairs of interchangeable blades



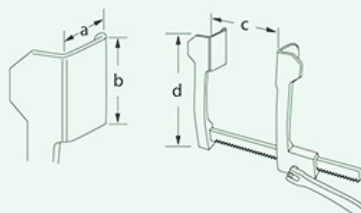
14-943-00

14-943-01

14-943-02

pair of blades

a	b
30 mm	30 mm
30 mm	60 mm
48 mm	60 mm



Mercedes
Thoraxsperrer

14-944-00

Stainless steel

a	b	c	d
45 mm	68 mm	285 mm	185 mm
70 mm	75 mm		

for adults, with 2 pairs of interchangeable blades with ball snap system

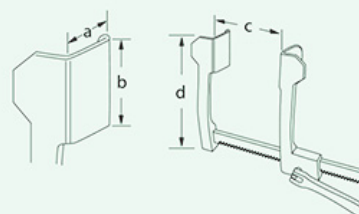
14-945-01

14-945-02

Stainless steel
pair of blades

a	b
45 mm	68 mm
70 mm	75 mm

Thoracic and I.M.A. retractor
I.M.A. Thoraxsperrer
Separador torácico e I.M.A.
Ecarteur thoracique et I.M.A.
Toracica e I.M.A. divaricatore



Mammaria-
Spreizer

14-946-00

Stainless steel

a	b	c	d
55 mm	100 mm	170 mm	130 mm

with detachable tilting IMA blade and set-screw to lift the sternal margin for the dissection of the IMA

Lung spatula – Rib contractors
Lungenspatel – Rippenkontraktoren
Espátulapulmonar - Aproximadores para costillas
Spatules pulmonaires - Rapprocheurs
Lung spatola - appaltatori Rib

surgimax™
saving lives



Allison

14-947-30 30 cm - 12"

14-947-32 32 cm - 12 ½"



Bailey-Baby

14-948-14 14 cm - 5 ½"



Bailey

14-949-16 16 cm - 6 ¼"



Lemmon
14-950-14 14.5 cm - 5 ¾"
14-950-18 18 cm - 7"



Bailey-Gibbon
14-951-16 16 cm - 6 ¼"

Rib contractors
Rippenkonraktoren
Aproximadores para costillas
Rapprocheurs
appaltatori Rib

surgimax™
saving lives



Sellors

14-952-19 19 cm - 7 ½"