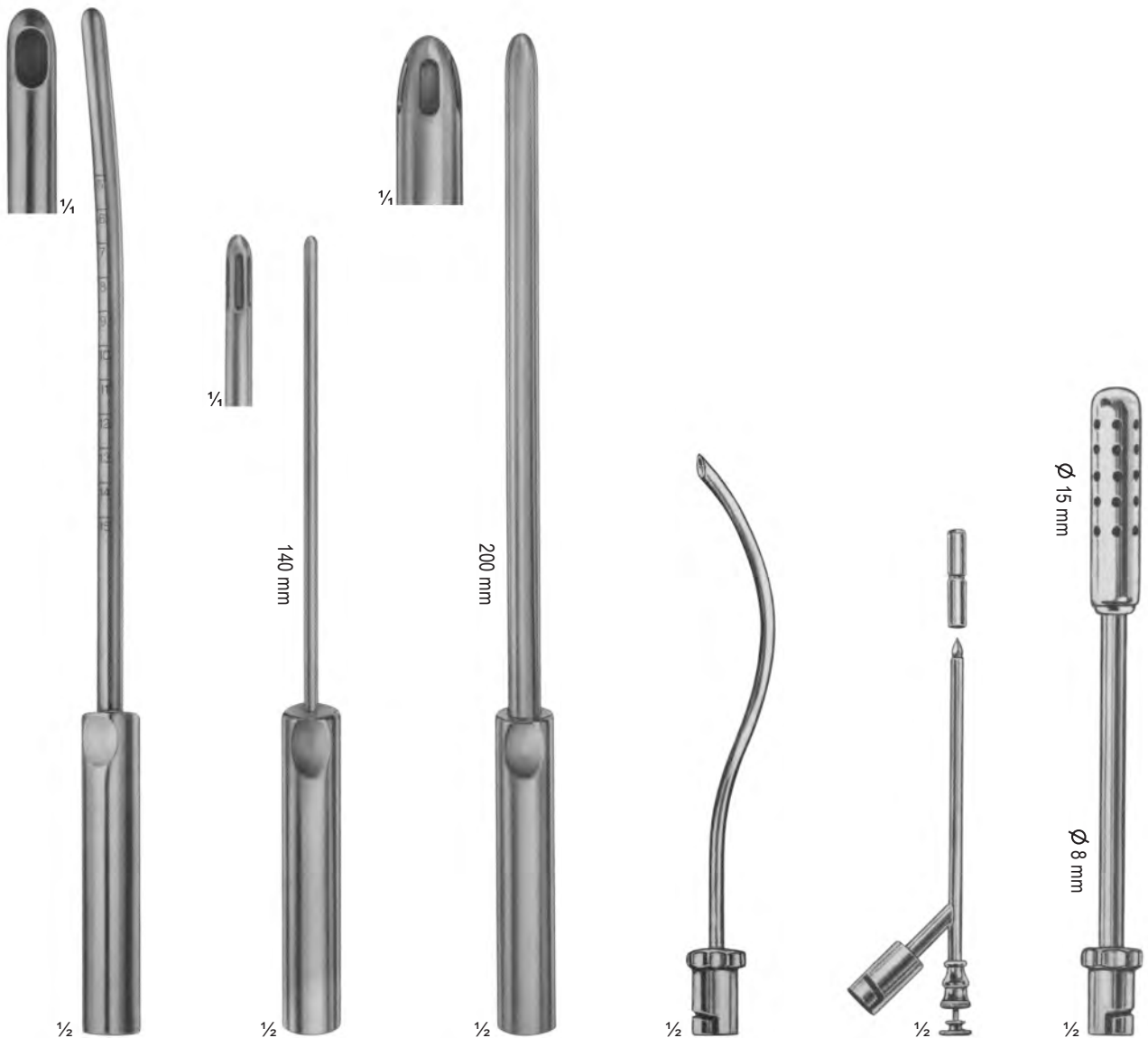


Page 01-13

- Suction Instruments



XY-001 - 006

BIEMER
XY-001 4 mm
XY-002 6 mm
XY-003 8 mm
XY-004 10 mm
XY-005 12 mm
XY-006 14 mm
 Curettes for aspiration lipectomy, graduated, slightly curved

XY-007 - 008

BIEMER
XY-007 4 mm
XY-008 6 mm
 Curettes for aspiration lipectomy, with three apertures, slightly curved malleable

XY-009 - 011

BIEMER
XY-009 8 mm
XY-010 10 mm
XY-011 12 mm
 Curettes for aspiration lipectomy, with three apertures, slightly curved malleable

XY-012

For aspirating fluid from the excretory ducts of large glands and for keeping the operating area clear 170 mm

XY-013

Trocar
 For puncturing 150 mm

XY-014

For clearing large quantities of fluid 190 mm



SUCTION INSTRUMENTS



XY-015
Trocar
For puncturing
170 mm



XY-016
Hollow needle,
sharp
150 mm



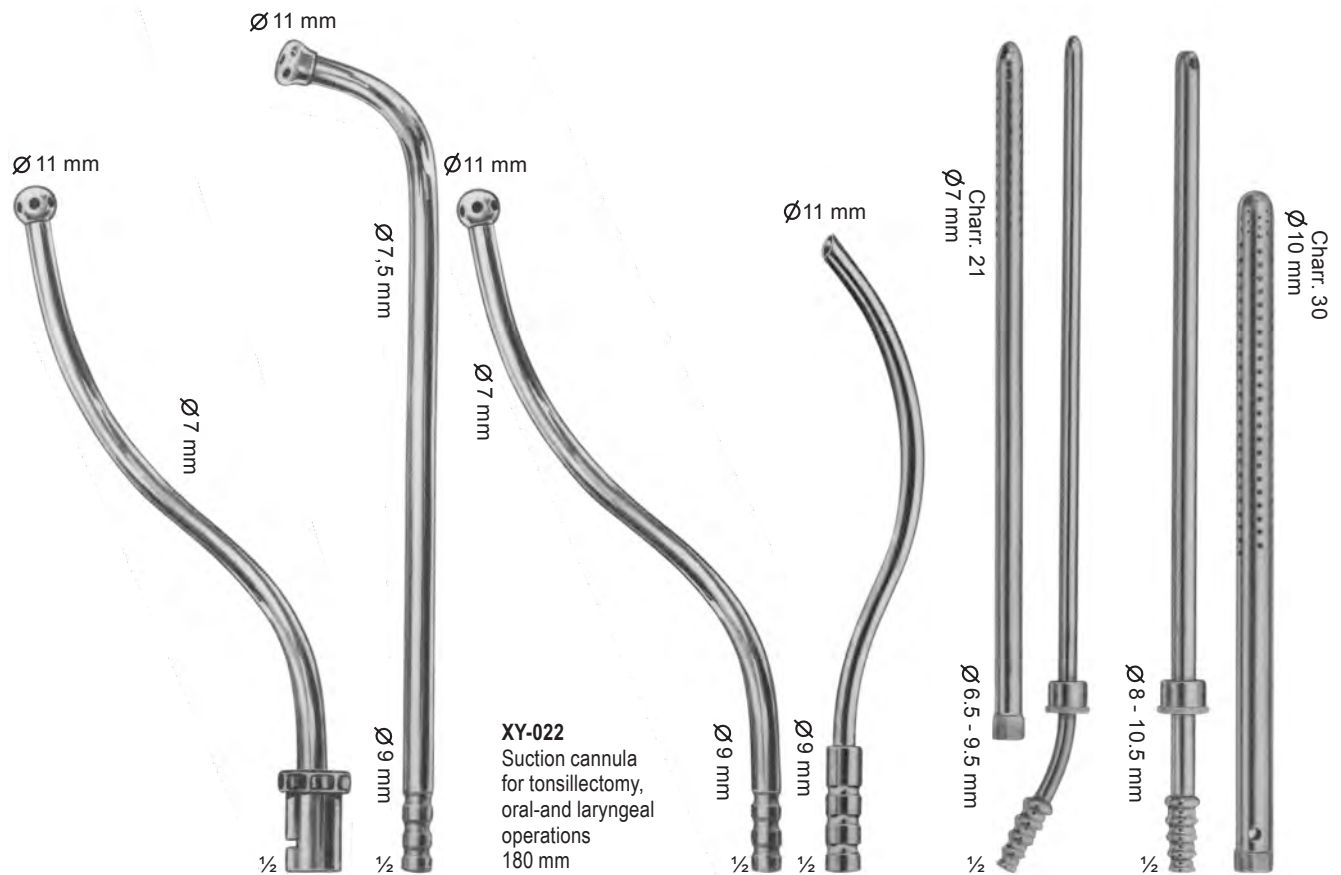
XY-017
double curved
For general
surgery
230 mm



XY-018
For tonsillectomy,
oral and laryngeal
operations
190 mm



XY-019
For tonsillectomy,
oral and laryngeal
operations
220 mm



XY-020
For tonsillectomy,
oral-and laryngeal
operations
180 mm

XY-021
Suction cannula
for tonsillectomy,
oral-and laryngeal
operations
220 mm

XY-022
Suction cannula
for tonsillectomy,
oral-and laryngeal
operations
180 mm

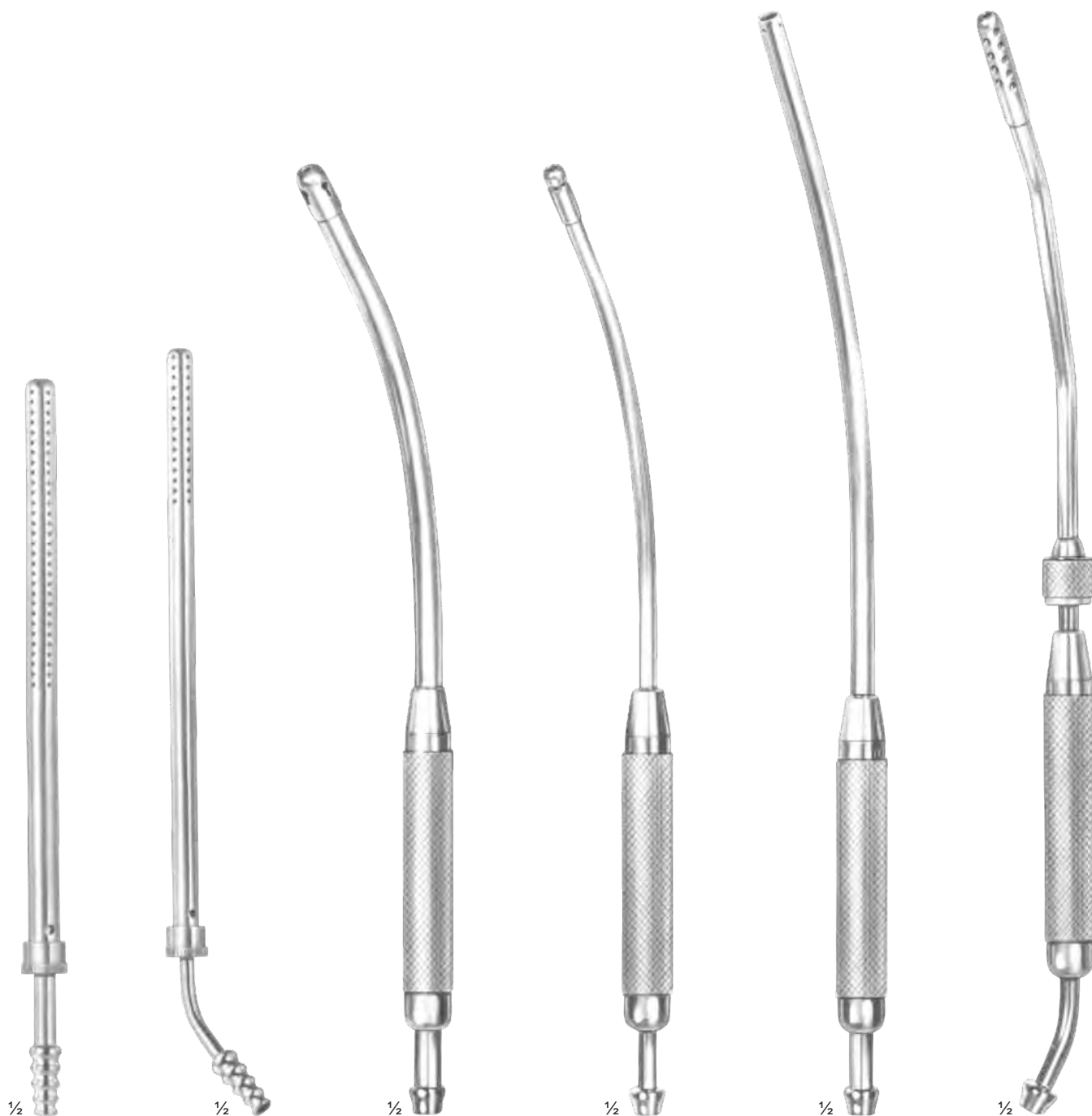
XY-023
S-shaped blunt cannula
for aspirating fluid from
the excretory ducts of
large glands and for
keeping the operations
area clear
170 mm

XY-024
POOL
Suction cannula,
with outer tube
to be screwed of
225 mm

XY-025
POOL
Suction cannula,
with outer tube
to be screwed of
225 mm



SUCTION INSTRUMENTS



POOLE
XY-026
24 cm
Ø10 mm

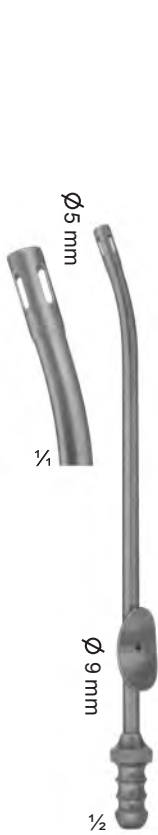
POOLE
XY-027
25 cm
Ø 8 mm

COLLEY
XY-028
with perforated screw tip
31 cm
Ø10 mm

COLLEY
XY-029
with perforated screw tip
31 cm
Ø7 mm

COLLEY
XY-030
36 cm
Ø 8 mm

COLLEY
XY-031
with perforated
screw tip
36 cm
Ø 8 mm



DE-BAKEY
XY-032
with finger cut-off
and stylet
16 cm



NUBOER
XY-033
round opening
21 cm
Ø 10 mm



NUBOER
XY-034
oval opening
21 cm
Ø 6 mm



FRAZIER
XY-035
24 cm
Ø 3.3 mm



ADSON
XY-036
20 cm
Ø 4 mm



COUPLAND
XY-037 - 040
with tube connector
17 cm

- **XY-037**
9 cm
Ø 1.5 mm
- **XY-038**
9 cm
Ø 2 mm
- **XY-039**
9 cm
Ø 2.5 mm
- 1/4 ○
XY-040
9 cm
Ø 3.5 mm



BYRD
XY-041 - 043
with tube connector
17 cm

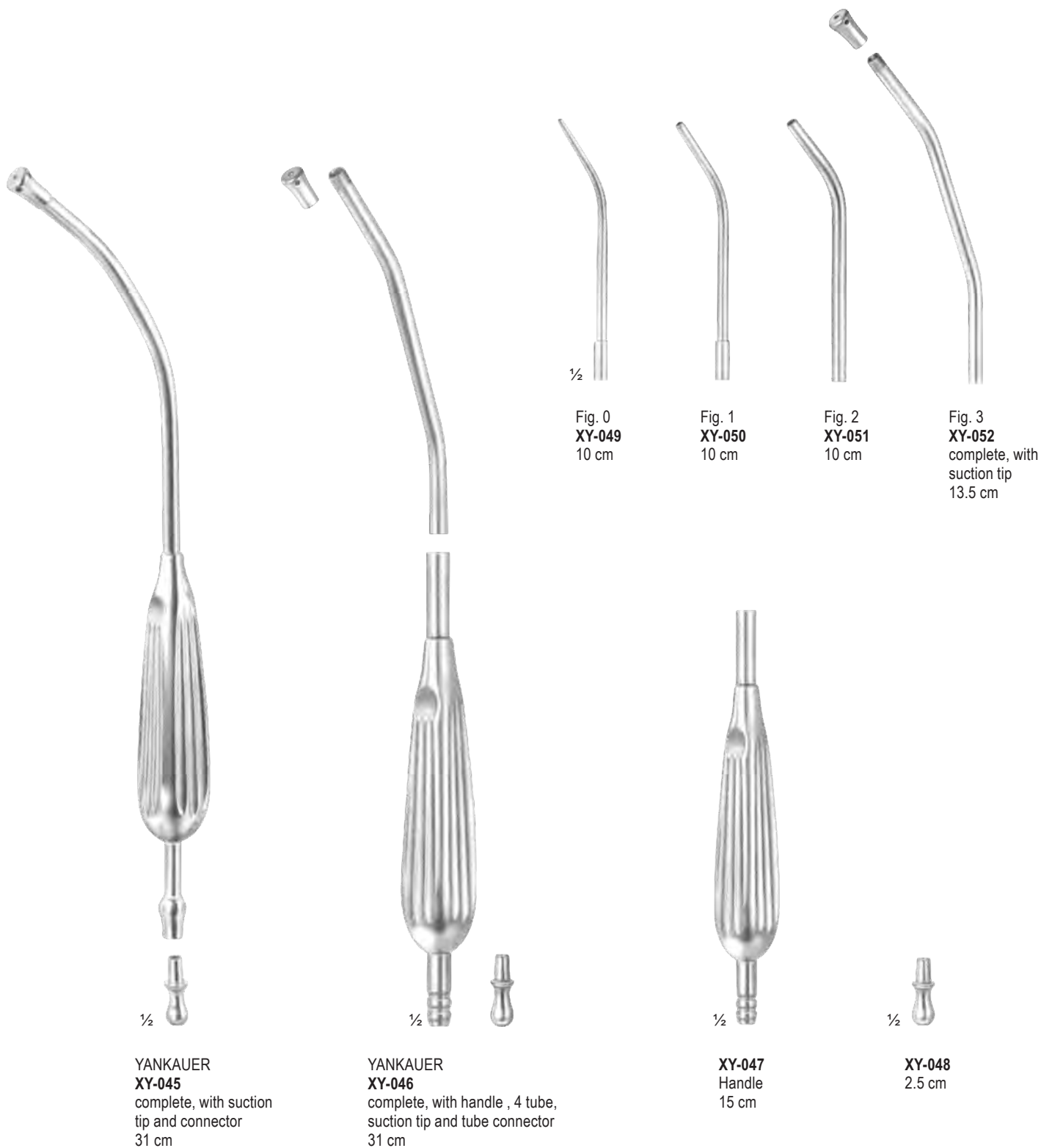
- **XY-041**
9 cm
Ø 3 mm
- **XY-042**
9 cm
Ø 3.5 mm
- 1/4 ○
XY-043
9 cm
Ø 4.3 mm



COGSWELL
XY-044
with finger cut-off
24.5 cm
Ø 3.8 mm



SUCTION INSTRUMENTS



YANKAUER XY-045
complete, with suction tip and connector
31 cm

YANKAUER XY-046
complete, with handle, 4 tube, suction tip and tube connector
31 cm

XY-047
Handle
15 cm

XY-048
2.5 cm

Fig. 0 XY-049
10 cm

Fig. 1 XY-050
10 cm

Fig. 2 XY-051
10 cm

Fig. 3 XY-052
complete, with suction tip
13.5 cm

WULLSTEIN
XY-053
 Suction tube, convical, silver, oliver
 with LUER hub
 16 cm

Ø1,75 mm

Ø3 mm

1/2

Ø8 mm

WULLSTEIN
XY-054 1.5 mm
XY-055 2 mm
 Suction tube, cylindrical, silver, with
 stylet with LUER hub
 16 cm



1/2

Ø8 mm

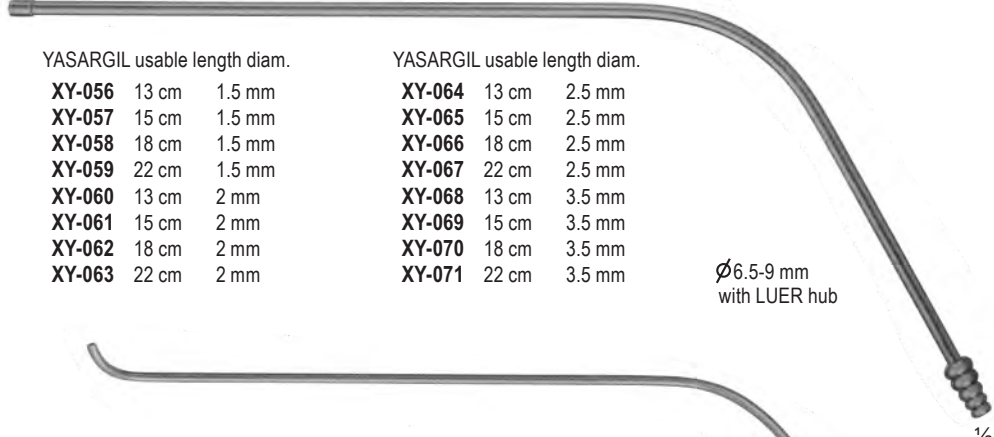
Usable length

YASARGIL usable length diam.

XY-056	13 cm	1.5 mm
XY-057	15 cm	1.5 mm
XY-058	18 cm	1.5 mm
XY-059	22 cm	1.5 mm
XY-060	13 cm	2 mm
XY-061	15 cm	2 mm
XY-062	18 cm	2 mm
XY-063	22 cm	2 mm

YASARGIL usable length diam.

XY-064	13 cm	2.5 mm
XY-065	15 cm	2.5 mm
XY-066	18 cm	2.5 mm
XY-067	22 cm	2.5 mm
XY-068	13 cm	3.5 mm
XY-069	15 cm	3.5 mm
XY-070	18 cm	3.5 mm
XY-071	22 cm	3.5 mm

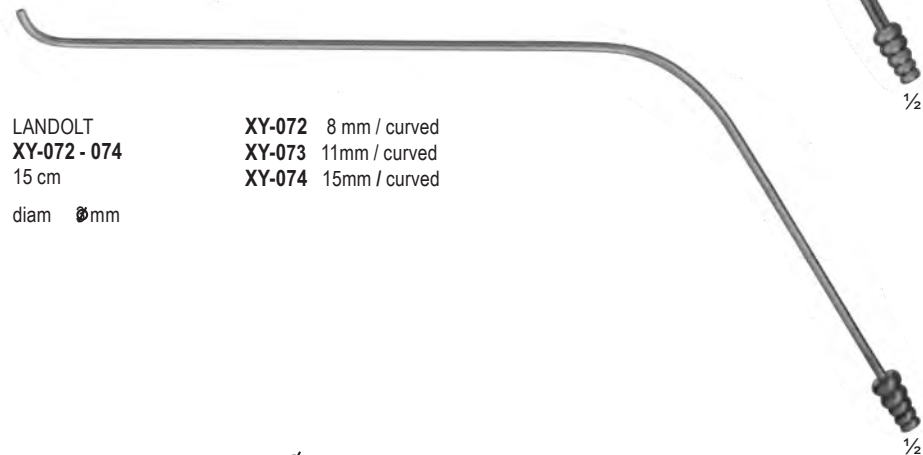


Ø6.5-9 mm
 with LUER hub

1/2

LANDOLT
XY-072 - 074
 15 cm
 diam Ømm

XY-072 8 mm / curved
XY-073 11mm / curved
XY-074 15mm / curved



1/2

Ø3.5 mm

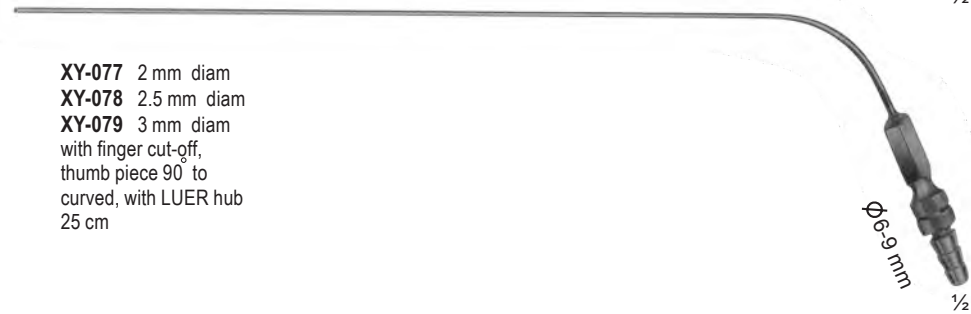
Ø2.0 mm

XY-075 5 cm
XY-076 35 cm
 with rubber tip,
 with LUER hub

Ø9 mm

1/2

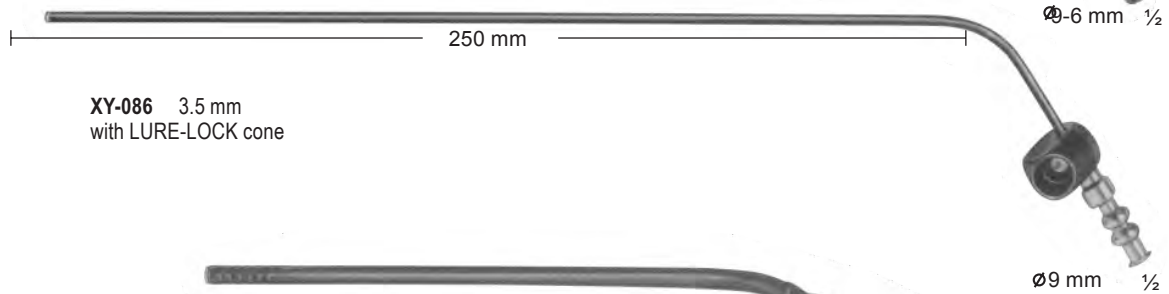
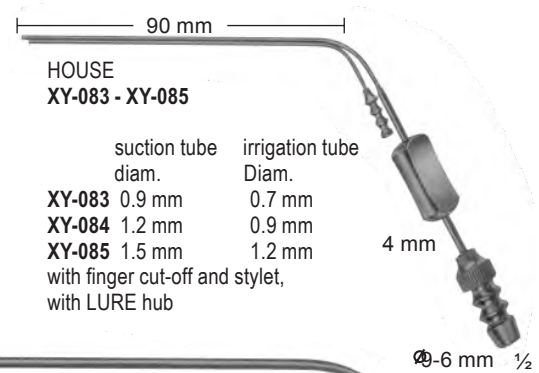
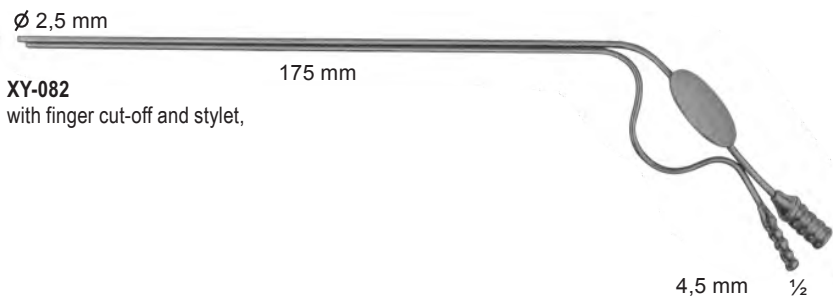
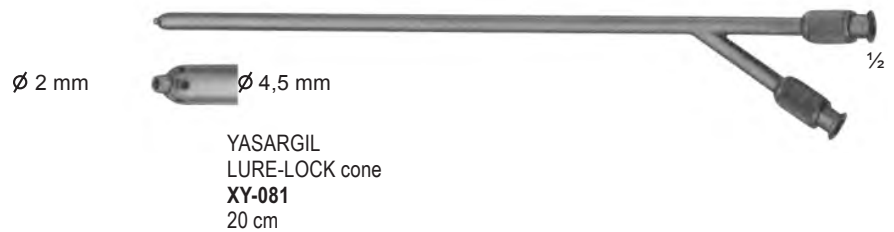
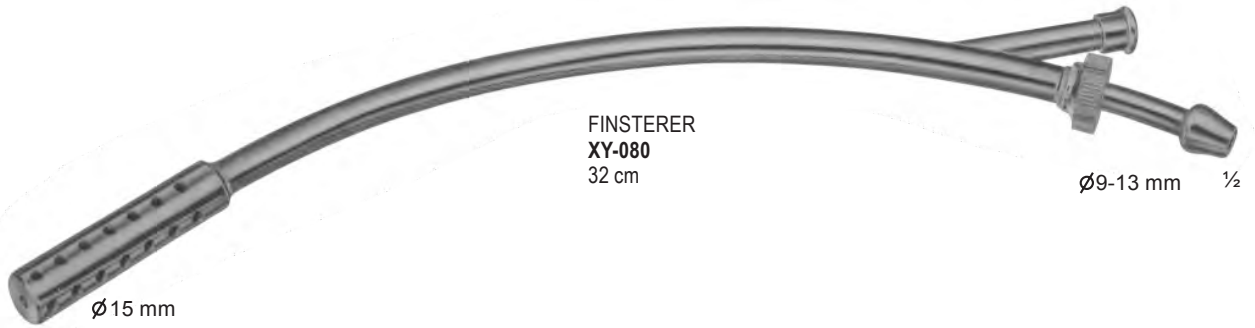
XY-077 2 mm diam
XY-078 2.5 mm diam
XY-079 3 mm diam
 with finger cut-off,
 thumb piece 90° to
 curved, with LUER hub
 25 cm



Ø6-9 mm

1/2

COMBINED SUCTION AND IRRIGATION CANNULA





1/2

WULLSTEIN
XY-088 - 090
14 cm
handle with tube, only



WULLSTEIN
XY-088
4.5 cm
Mirco Suction Cannula
Complete, with handle and 3 tips
Ø 0.4 mm



WULLSTEIN
XY-089
4.5 cm
Mirco Suction Cannula
Complete, with handle and 3 tips
Ø 0.6 mm



WULLSTEIN
XY-090
4.5 cm
Mirco Suction Cannula
Complete, with handle and 3 tips
Ø 0.8 mm



XY-091
working length 75 mm
Ø 1 mm



XY-092
working length 75 mm
Ø 1.5 mm



XY-093
working length 75 mm
Ø 2 mm



1/2

BARON-SCHUKNECHT
XY-091 - 093
with finer cut-off



1/2

ZOELLNER
XY-094 - 097
Suction Cannula

Suction Tip

- XY-094** Ø 0.5 mm
- XY-095** Ø 0.7 mm
- XY-096** Ø 0.9 mm
- XY-097** Ø 1.2 mm

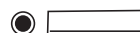


SUCTION INSTRUMENTS



LUER
XY-098 - 100
Conical

1/2



XY-098
16.5 cm
Ø 3 mm
working length
110 mm



XY-099
16.5 cm
Ø 3.5 mm
working length
110 mm



XY-100
18 cm
Ø 4.5 mm
working length
130 mm

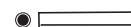


YASARGIL
XY-101 - 104
working length
15 cm

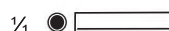
1/2



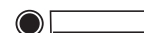
XY-101
17 cm
Ø 1.5 mm



XY-102
17 cm
Ø 2 mm



XY-103
17 cm
Ø 2.5 mm



XY-104
17 cm
Ø 3.5 mm



XY-105
YANKAUER
with especially large
central bore, 4,8 mm
diam.
285 mm

XY-106
YANKAUER
with central bore,
2,0 mm diam.
285 mm

XY-107
DE-BAKEY
with central bore,
3,0 mm diam.with
lateral slots
275 mm

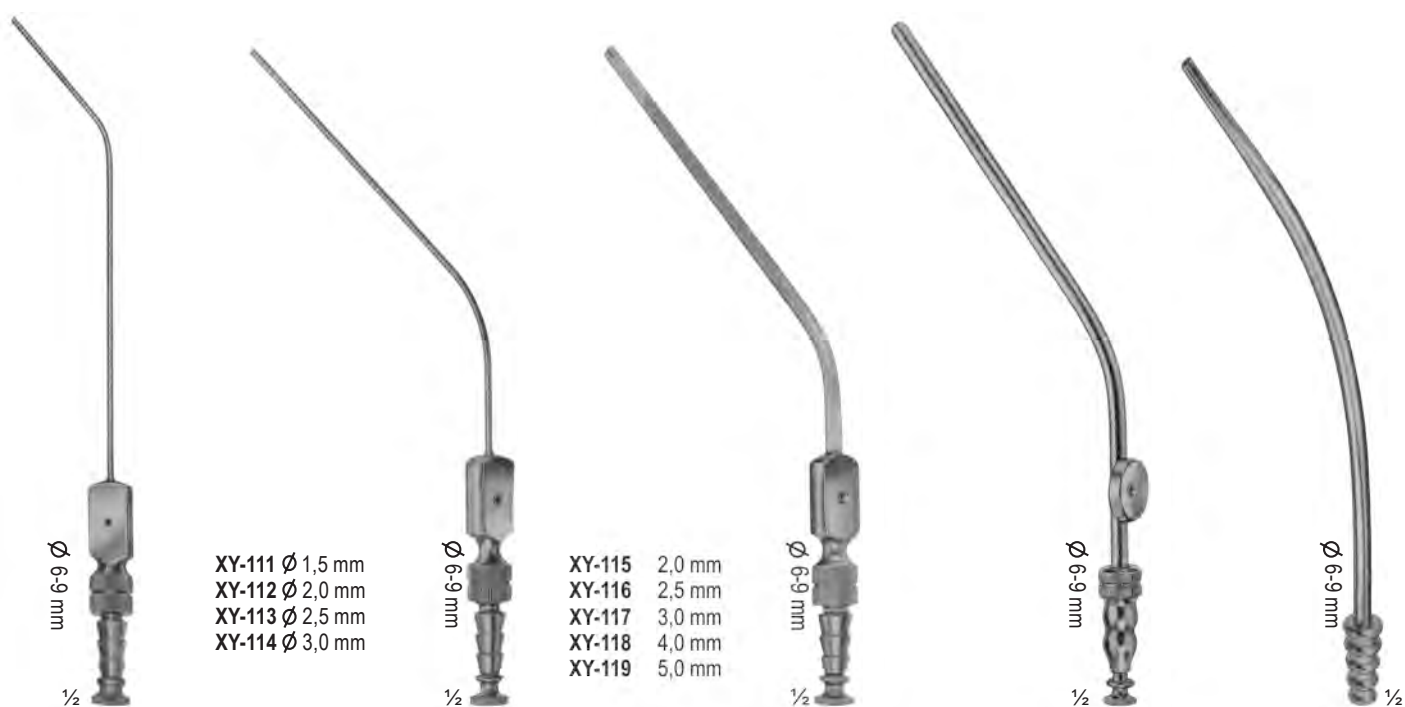
XY-108
DE-BAKEY
with finger cut-off
and stylet
270 mm

XY-109
DE-BAKEY
with finger cut-off
and stylet
160 mm

XY-110
with finger
cut-off
190 mm



SUCTION INSTRUMENTS



XY-111 - 114
PLESTER
 with finger cut-off and
 stylet, thumb piece
 parallel to curved, with
 LUER hub
 195 mm

XY-115 - 119
FERGUSON
 with finger cut-off and
 stylet, thumb piece
 90° to curved, with
 LUER hub
 180 mm

XY-120 Ø4,0 mm
FERGUSON
 insulated, with finger cut-off
 and stylet, thumb piece 90°
 to curved, with LUER hub
 180 mm

XY-121 Ø3,0 mm
XY-122 Ø5,0 mm
FRAZIER
 insulated, with finger
 cut-off and stylet, thumb
 piece 90° to curved,
 with LUER hub
 180 mm

XY-123
 5,0 mm diam., Tip
 6,5 mm wide, Nasal
 suction tube, with
 LUER hub
 180 mm



XY-124 \varnothing 4,5 mm
XY-125 \varnothing 5,5 mm
 Nasal suction tubes
 175 mm



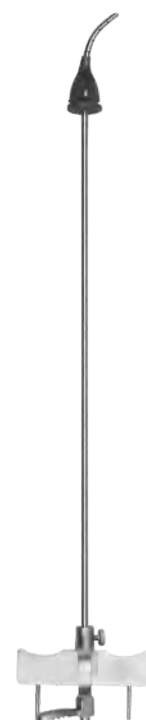
XY-126
 GORNEY
 Suction dissector
 180 mm



XY-127 4 mm wide
XY-128 5 mm wide
 Suction raspatories,
 sharp, bayonet-shaped,
 with styelt
 200 mm



XY-129
 LOPEZ-REINKE
 Tonsil dissector with
 suction device
 235 mm



XY-130
 SPACKMAN CANNULA
 Surgical and Latexfree
 Cone the depth of the uterus
 and to allow
 for gentle dilation of the cervix
 Length: 360 mm